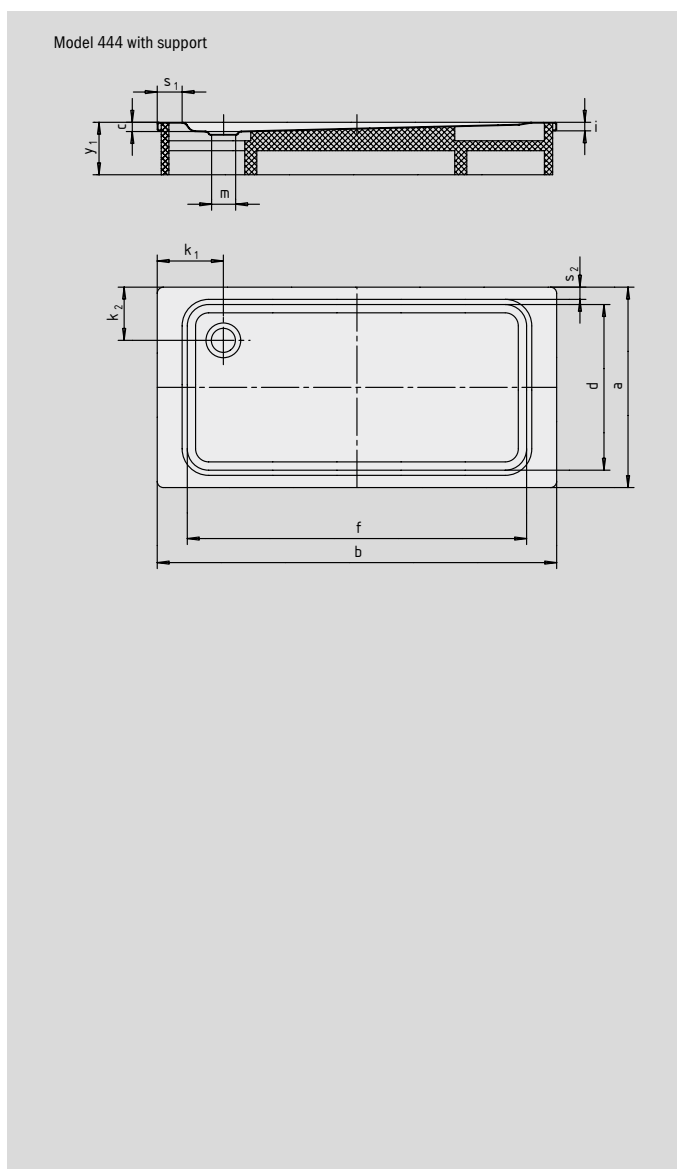


SUPERPLAN XXL

- exclusive, elegant design
- generous dimensions ideal for showering with a friend
- shallow depth ideal for floor level installation and guarantees easy access
- made of KALDEWEI steel enamel
- flush-fitting recessed waste cover (only in combination with the KA 90 waste fittings)



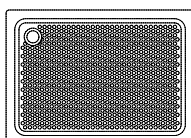
Similar illustration



| Modell | Combined Tray & Waste depth | | | | Waste fitting depth | | | |
|------------------|-----------------------------|-----|-----|-----|---------------------|-----|-----|-----|
| | 409 | 411 | 430 | 444 | 409 | 411 | 430 | 444 |
| KA 90 | 127 | 127 | 131 | 131 | 81 | 81 | 81 | 81 |
| KA 90 extra flat | 116 | 116 | 120 | 120 | 70 | 70 | 70 | 70 |
| KA 90 ultra flat | 107 | 107 | 111 | 111 | 61 | 61 | 61 | 61 |
| KA 90 vertical | 49 | 49 | 49 | 49 | 81 | 81 | 81 | 81 |

See page 291.

| Model No. | 409 | 411 | 430 | 444 | |
|--|---------------------------------|------------|------------|------------|---------------|
| External length | a | 700 | 750 | 900 | 1000 mm |
| External width | b | 1700 | 1700 | 1700 | 1700 mm |
| Depth | c | 47 | 47 | 51 | 51 mm |
| Internal length | d | 590 | 640 | 790 | 790 mm |
| Internal width | f | 1590 | 1590 | 1590 | 1590 mm |
| Height of rim | i | 32 | 32 | 32 | 32 mm |
| Distance bath edge to centre of drain hole | k ₁ ; k ₂ | 200 | 200 | 200 | 200; 250 mm |
| Diameter of drain hole | m | 90 | 90 | 90 | 90 mm |
| Width of rim | s _{1,2} | 50 | 50 | 50 | 50; 100 mm |
| Height with support | y ₁ | 145 | 145 | 145 | 145 mm |
| Weight of the enamelled shower tray in kg | | 32 | 33 | 40 | 44 |
| Anti-slip | | 856 x 300 | 856 x 300 | 856 x 549 | 856 x 549 mm |
| Full anti-slip | | 461 x 1465 | 524 x 1465 | 649 x 1465 | 649 x 1465 mm |



The TÜV Rheinland confirms the following properties of KALDEWEI's anti-slip and full anti-slip finish:

- Assessment group **B** for wet barefoot areas (**DIN 51097**)
- Assessment group **R 10** for slip-resistant properties in work rooms and areas with an increased risk of slipping (**DIN 51130**)