

RONDO 6

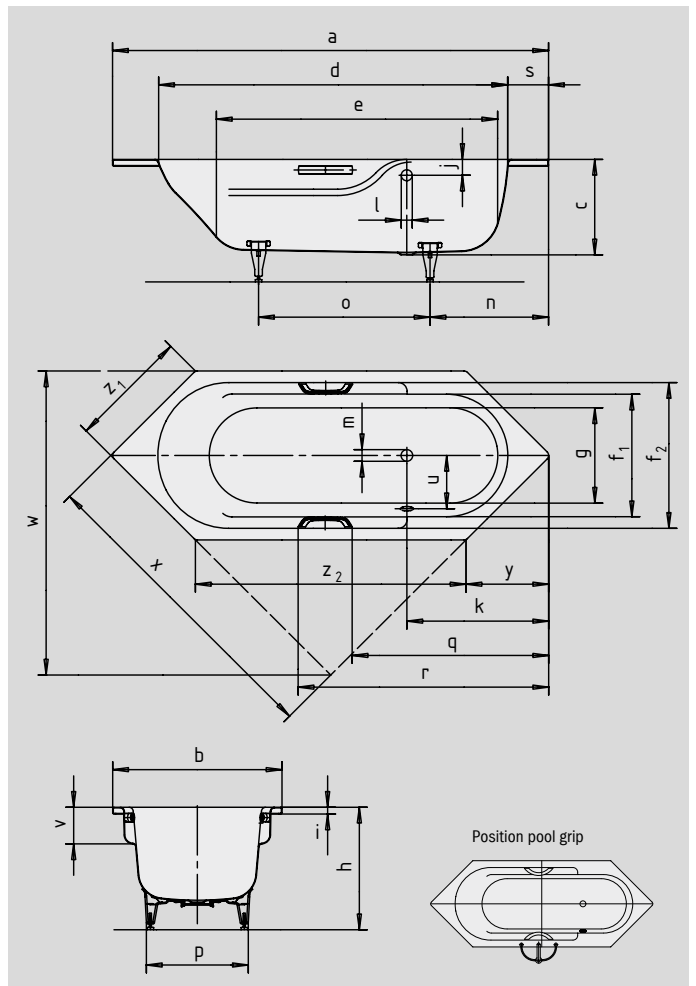
RONDO 6 STAR

- the curvature of the interior contours provides lots of room for the upper part of the body
- wide arm rests for optimum bathing comfort
- diverse installation possibilities, also corner installation
- made of KALDEWEI steel enamel
- also available with grips



To order the bath with opposite overflow, please order model xxxx**2300**xxxx.

Similar illustration



Grip DISCREET OPULENCE



| Model No. | | 706 / 707 | 716 / 717 |
|--|---------------------------------|-------------|----------------|
| External length | a | 1970 | 2060 mm |
| External width | b | 750 | 800 mm |
| Depth | c | 445 | 445 mm |
| Internal length (top) | d | 1560 | 1650 mm |
| Internal length (bottom) | e | 1250 | 1340 mm |
| Internal width (top) | f ₁ ; f ₂ | 530; 635 | 580; 690 mm |
| Internal width (bottom) | g | 400 | 450 mm |
| Height with feet | h | 576-601 | 576-601 mm |
| Height of rim | i | 32 | 32 mm |
| Distance top edge to centre of overflow hole | j | 75 | 75 mm |
| Distance bath edge to centre of drain hole | k | 660 | 670 mm |
| Diameter of overflow hole | l | 52 | 52 mm |
| Diameter of drain hole | m | 52 | 52 mm |
| Distance foot end of bath edge to centre of foot | n | 565 | 575 mm |
| Distance between the feet | o | 730 | 810 mm |
| Max. width of feet | p | 440 | 480 mm |
| Distance bath edge (foot end) to where grip/handle starts (Mod. 707/717) | q | 904 | 929 mm |
| Distance bath edge (foot end) to where grip/handle ends (Mod. 707/717) | r | 1159 | 1184 mm |
| Width of rim (foot end) | s | 218 | 213 mm |
| Distance between centre holes | u | 260 | 285 mm |
| Armrest depth | v | 170 | 170 mm |
| Installation dimension | w | 1370 | 1440 mm |
| Side length | x | 1406 | 1470 mm |
| Oblique | y | 365 | 390 mm |
| Side length | z ₁ ; z ₂ | 530; 1240 | 565; 1280 mm |
| Water volume** in litres | | 130 | 178 |
| Weight of the enamelled bath in kg | | 48 | 54 |
| Anti-slip | | ∅ 288 | ∅ 435 mm |
| Full anti-slip | | 900 x 300 | 900 x 300 mm |

Note: The operational system may protrude on some whirl systems.
Please refer to the Technical Information for Whirl Systems for further information.
Subject to technical alterations, tolerances and errors. Similar illustration.
** 70 litres displacement on average.

KALDEWEI