

NOVOLA DUO 6

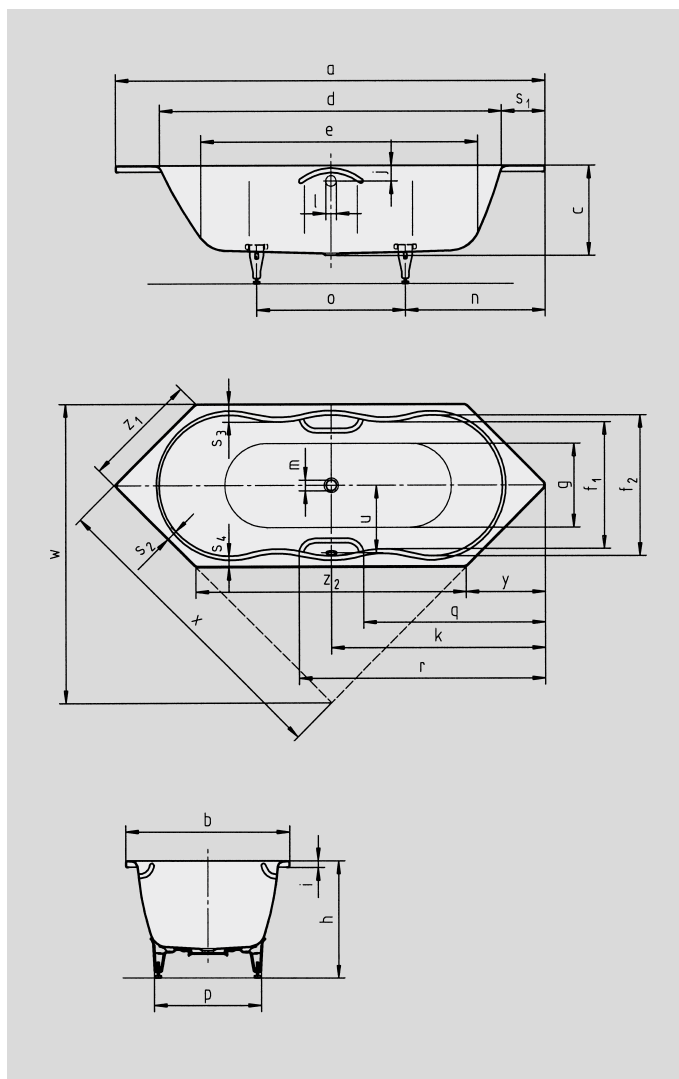
NOVOLA DUO 6 STAR

- with its curved interior contours, this bath will become an eye-catcher in every bathroom
- bathing with a friend: two identical back rests and centrally positioned waste
- diverse installation possibilities, also corner installation
- made of KALDEWEI steel enamel
- also available with grips



Similar illustration

To order the bath with opposite overflow, please order model xxxx**2300**xxxx.



Model No.		254/ 255
External length	a	2100 mm
External width	b	800 mm
Depth	c	440 mm
Internal length (top)	d	1686 mm
Internal length (bottom)	e	1368 mm
Internal width (top)	f ₁ ; f ₂	614; 680 mm
Internal width (bottom)	g	422 mm
Height with feet	h	565-590 mm
Height of rim	i	32 mm
Distance top edge to centre of overflow hole	j	70 mm
Distance bath edge to centre of drain hole	k	1050 mm
Diameter of overflow hole	l	52 mm
Diameter of drain hole	m	52 mm
Distance foot end of bath edge to centre of foot	n	640 mm
Distance between the feet	o	760 mm
Max. width of feet	p	500 mm
Distance bath edge (foot end) to where grip/handle starts (Mod. 255)	q	900 mm
Distance bath edge (foot end) to where grip/handle ends (Mod. 255)	r	1215 mm
Width of rim	s ₁ ; s ₂ ; s ₃ ; s ₄	207; 60; 90; 60 mm
Distance between centre holes	u	338 mm
Installation dimension	w	1460 mm
Side length	x	1499 mm
Oblique	y	390 mm
Side length	z ₁ ; z ₂	565; 1320 mm
Water volume** in litres		197
Weight of the enamelled bath in kg		55
Anti-slip		∅ 435 mm
Full anti-slip		900 x 300 mm

Note: The operational system may protrude on some whirl systems.
Please refer to the Technical Information for Whirl Systems for further information.
Subject to technical alterations, tolerances and errors. Similar illustration.
** 70 litres displacement on average.