

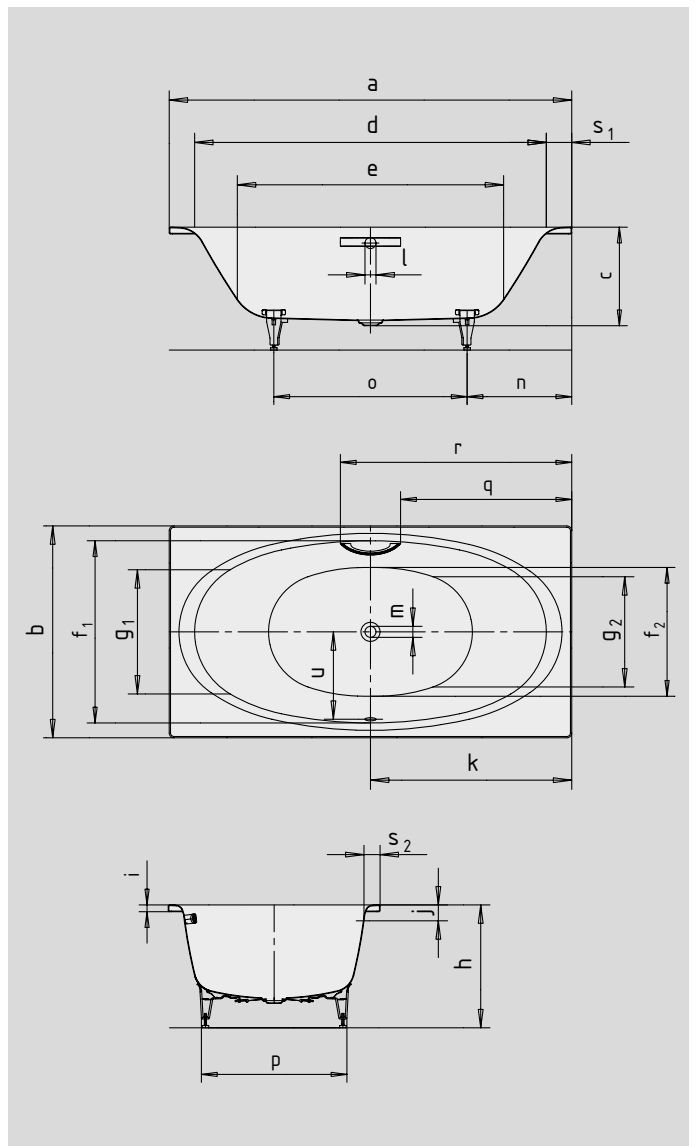
ELLIPSO DUO

- gently shaped shoulder rest for more pleasure and comfort
- bathing with a friend: two identical back rests and centrally positioned waste
- classic rectangular model
- made of KALDEWEI steel enamel
- enamelled waste cover and overflow knob integrated in the bath design



Similar illustration

To order the bath with pre-drilled grip holes on one side, please order model xxxx**1011**xxxx.



GRIP DISCREET OPULENCE



Model No.		230
External length	a	1900 mm
External width	b	1000 mm
Depth	c	465 mm
Internal length (top)	d	1660 mm
Internal length (bottom)	e	1260 mm
Internal width (top)	f ₁ ; f ₂	860; 610 mm
Internal width (bottom)	g ₁ ; g ₂	585; 520 mm
Height with feet	h	565-595 mm
Height of rim	i	32 mm
Distance top edge to centre of overflow hole	j	75 mm
Distance bath edge to centre of drain hole	k	950 mm
Diameter of overflow hole	l	52 mm
Diameter of drain hole	m	52 mm
Distance foot end of bath edge to centre of foot	n	585 mm
Distance between the feet	o	730 mm
Max. width of feet	p	620 mm
Distance bath edge to where grip/handle starts	q	808 mm
Distance bath edge to where grip/handle ends	r	1092 mm
Width of rim (foot end; lengthwise)	s ₁ ; s ₂	120; 65 mm
Distance between centre holes	u	421 mm
Water volume** in litres		214
Weight of the enamelled bath in kg		59
Anti-slip		∅ 587 mm
Full anti-slip		900 x 546 mm

Note: The operational system may protrude on some whirl systems.
Please refer to the Technical Information for Whirl Systems for further information.
Subject to technical alterations, tolerances and errors. Similar illustration.
** 70 litres displacement on average.

KALDEWEI